

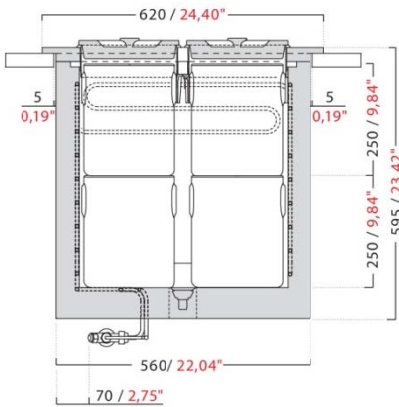
POZZETTI

VASCA da incasso con riserva / 2 levels built-in pozzetti TANK



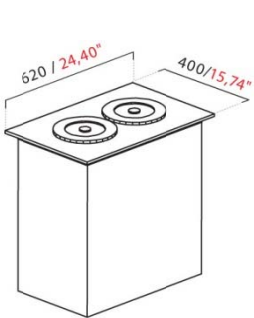
CARATTERISTICHE TECNICHE	OPTIONAL	TECHNICAL SPECIFICATIONS	OPTIONALS
<ul style="list-style-type: none"> - vasca monoblocco schiumata in poliuretano iniettato a 40 kg/m3 - 2 livelli di carapine - piano da incasso in acciaio inox finitura Scotch-brite - sistema anti-rotazione delle carapine - coperchi - vasca interna in acciaio inox con piletta di scarico dotata di tappo di chiusura - refrigerazione ventilata - pannello comandi elettronico - sbrinamento manuale con arresto dell'impianto 	<ul style="list-style-type: none"> - carapine con sistema anti-rotazione 	<ul style="list-style-type: none"> - monobloc foam tank insulated with injected polyurethane (40 kg/m3) - 2 levels of gelato tubs - stainless steel top with Scotch-Brite finish, which fits into the hole prepared on the counter top - exclusive tubs anti-rotation system - round lids - inner basin in stainless steel with drain - ventilated refrigeration system - electronic control panel - manual defrost function with system stoppage 	<ul style="list-style-type: none"> - tubs with anti-rotation system

SEZIONE SECTION VIEW



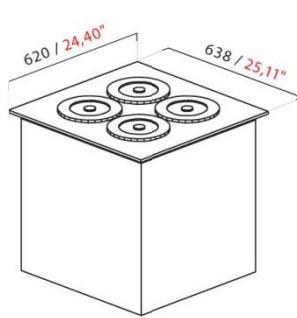
VASCA POZZETTI INCASSO CON RISERVA

2 LEVELS BUILT-IN POZZETTI TANK



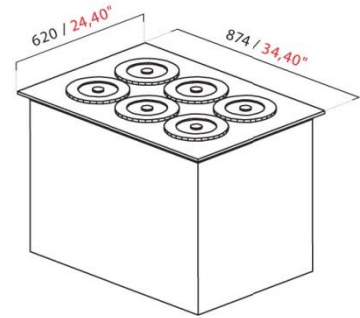
2 FORI / 2 HOLES

2+2 carapine - 5 litri cad. / 2+2 tubs - 5 liters each



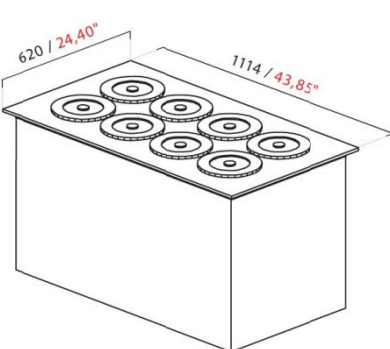
4 FORI / 4 HOLES

4+4 carapine - 5 litri cad. / 4+4 tubs - 5 liters each



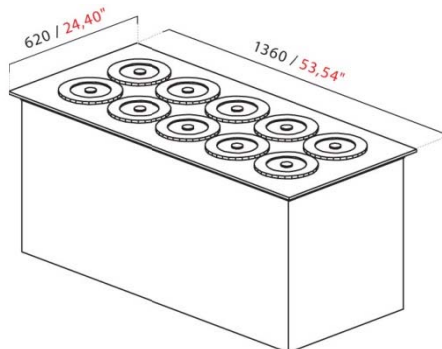
6 FORI / 6 HOLES

6+6 carapine - 5 litri cad. / 6+6 tubs - 5 liters each



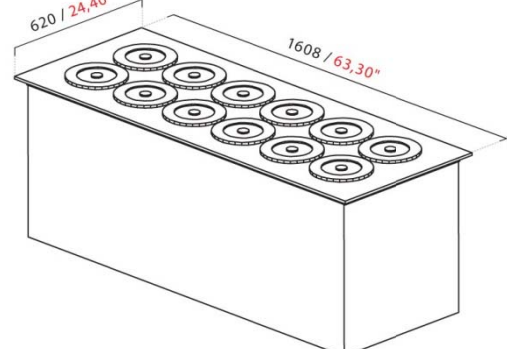
8 FORI / 8 HOLES

8+8 carapine - 5 litri cad. / 8+8 tubs - 5 liters each



10 FORI / 10 HOLES

10+10 carapine - 5 litri cad. / 10+10 tubs - 5 liters each




12 FORI / 12 HOLES


12+12 carapine - 5 litri cad. / 12+12 tubs - 5 liters each


DIMENSIONI, PESO E IMBALLO DIMENSIONS, WEIGHT AND PACKAGING

MODELLO MODEL	LUNGHEZZA LENGTH		PROFONDITÀ DEPTH		PESO WEIGHT		DIMENSIONE IMBALLO PACKAGING DIMENSIONS		PESO con imballo CRATED WEIGHT	
	mm	in	mm	in	kg	lb	mm	in	kg	lb
2 fori / holes	400	15.74"	620	24.40"	37	82	1064x779xH767	41.9"x30.7"xH30.2"	67	148
4 fori / holes	638	25.11"	620	24.40"	49	108	1064x779xH767	41.9"x30.7"xH30.2"	87	192
6 fori / holes	874	34.41"	620	24.40"	59	130	1064x779xH767	41.9"x30.7"xH30.2"	110	243
8 fori / holes	1114	43.85"	620	24.40"	69	152	1400x840xH444	55.1"x33.1"xH17.5"	133	293
10 fori / holes	1360	53.54"	620	24.40"	79	174	1624x911xH767	63.9"x35.9"xH30.2"	143	315
12 fori / holes	1608	63.30"	620	24.40"	89	196	2124x911xH767	83.6"x35.9"xH30.2"	167	368

DATI TECNICI TECHNICAL SPECIFICATIONS

 3065103 ETL* - NSF 7 - UL STD 471 US - CAN/CSA C22.2 STD n. 120 Intertek Intertek			UC CON MOTORE A BORDO WITH CONDENSING UNIT ON BOARD				TENSIONE E FREQUENZA VOLTAGE AND FREQUENCY V/Ph/Hz 208-220/1/60				
MODELLO MODEL	POTENZA COMP. HP	BREAKER SIZE	MCA	MOP	RESA CAPACITY		CLASSE CLIMATICA CLIMATE CLASS			TEMPERATURA DI ESERCIZIO OPERATING TEMPERATURE	
	HP	A	A	A	W/h -30°C	BTU/h -22°F	°C	°F	U.R. R.H.	°C	°F
2 fori / holes	1/3	5	4	5	410	1.398	35°C	95°F	60%	-2°C; -18°C	+28.4°F; -0.4°F
4 fori / holes	1/3	5	4	5	410	1.398	35°C	95°F	60%	-2°C; -18°C	+28.4°F; -0.4°F
6 fori / holes	1/2	8	6	10	460	1.569	35°C	95°F	60%	-2°C; -18°C	+28.4°F; -0.4°F
8 fori / holes	5/8	8	5	8	502	1.712	35°C	95°F	60%	-2°C; -18°C	+28.4°F; -0.4°F
10 fori / holes	5/8	8	5	8	502	1.712	35°C	95°F	60%	-2°C; -18°C	+28.4°F; -0.4°F
12 fori / holes	1,2	10	7	10	708	2.414	35°C	95°F	60%	-2°C; -18°C	+28.4°F; -0.4°F

 UC CON MOTORE A BORDO WITH CONDENSING UNIT ON BOARD			TENSIONE E FREQUENZA VOLTAGE AND FREQUENCY MONOFASE - V/Ph/Hz 230/1/50						
MODELLO MODEL	POTENZA ASSORBITA CURRENT CONSUMPTION		RESA COOLING CAPACITY		CLASSE CLIMATICA CLIMATE CLASS			TEMPERATURA DI ESERCIZIO OPERATING TEMPERATURE	
	monofase 230/1/50		monofase 230/1/50		°C	°F	U.R. R.H.	°C	°F
	W	A	W/h -30°C	BTU/h -22°F					
2 fori / holes	381	2.28	360	1.229	35°C	95°F	60%	-2°C; -18°C	+28.4°F; -0.4°F
4 fori / holes	381	2.28	360	1.229	35°C	95°F	60%	-2°C; -18°C	+28.4°F; -0.4°F
6 fori / holes	432	2.93	460	1.570	35°C	95°F	60%	-2°C; -18°C	+28.4°F; -0.4°F
8 fori / holes	584	3.23	615	2.100	35°C	95°F	60%	-2°C; -18°C	+28.4°F; -0.4°F
10 fori / holes	594	3.28	615	2.100	35°C	95°F	60%	-2°C; -18°C	+28.4°F; -0.4°F
12 fori / holes	745	3.43	925	3.158	35°C	95°F	60%	-2°C; -18°C	+28.4°F; -0.4°F

 CON MOTORE ENTRO 20 METRI WITH CONDENSING UNIT WITHIN 20 METERS			TENSIONE E FREQUENZA / VOLTAGE AND FREQUENCY MONOFASE - V/Ph/Hz 230/1/50						
MODELLO MODEL	POTENZA ASSORBITA CURRENT CONSUMPTION		RESA COOLING CAPACITY		CLASSE CLIMATICA CLIMATE CLASS			TEMPERATURA DI ESERCIZIO OPERATING TEMPERATURE	
	monofase 230/1/50		monofase 230/1/50		°C	°F	U.R. R.H.	°C	°F
	W	A	W/h -30°C	BTU/h -22°F					
2 fori / holes	380	2.28	360	1.229	35°C	95°F	60%	-2°C; -18°C	+28.4°F; -0.4°F
4 fori / holes	421	2.88	360	1.229	35°C	95°F	60%	-2°C; -18°C	+28.4°F; -0.4°F
6 fori / holes	557	3.03	460	1.570	35°C	95°F	60%	-2°C; -18°C	+28.4°F; -0.4°F
8 fori / holes	744	3.74	615	2.100	35°C	95°F	60%	-2°C; -18°C	+28.4°F; -0.4°F
10 fori / holes	754	3.78	615	2.100	35°C	95°F	60%	-2°C; -18°C	+28.4°F; -0.4°F
12 fori / holes	1207	5.99	925	3.158	35°C	95°F	60%	-2°C; -18°C	+28.4°F; -0.4°F